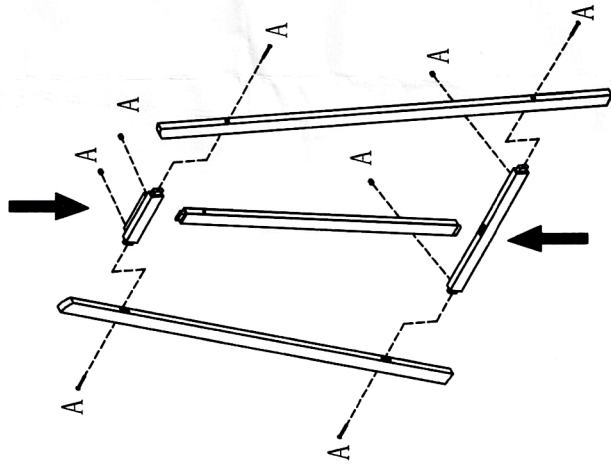


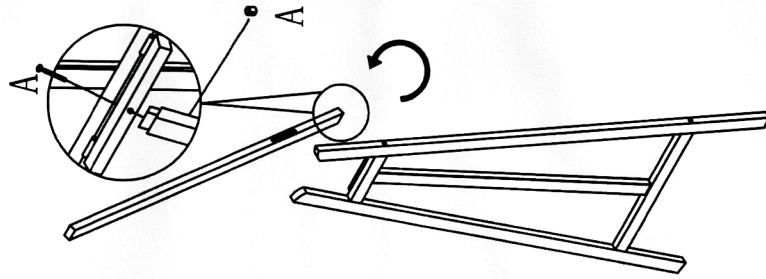
Assembling Instruction

Assembling Steps

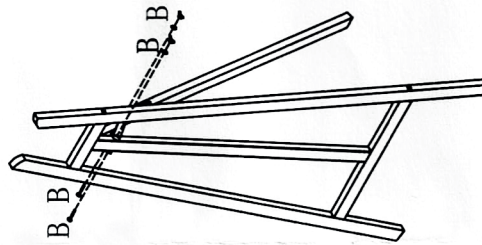
①



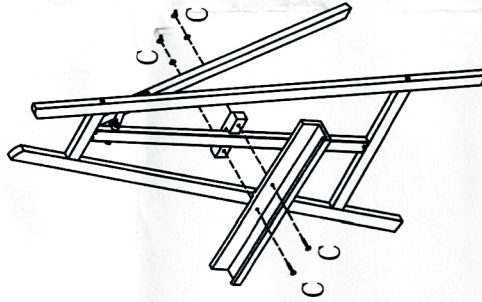
②



③



④



⑤

